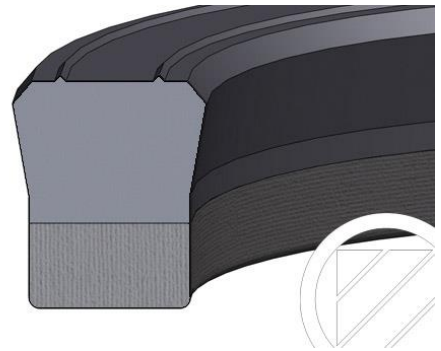


SN 05



DESCRIPTION

Baugruppe: rod seal
Design: symmetrical u-ring
Profile no.: 05
Specification: E suitable for one-sided pressure load
Seal material: NBR 80 3002
Seal back: NBR fabric NBR F 80 3001

OPERATIONAL APPLICATION LIMITS

Pressure (MPa): ≤ 20
 Temperature (°C): -30 to $+100$
 Running speed (m/s): ≤ 0.5

MEDIA

- Hydraulic oils acc. to DIN 51524 Part 1 – 3
- Lubricating oils
- Mineral oil based lubricating greases
- Highly non-flammable hydraulic fluids HFA, HFB, HFC acc. to VDMA 24317

FUNCTION

The u-ring SN 05 is produced in a compact design which guarantees good functioning at low pressures. The SN 05 has a symmetrical design that allows application as a piston and rod seal.

INSTALLATION

U-rings can be installed in both solid and split housings. Please note for a solid housing application a minimum width is necessary and suitable installation tools may be required.

REMARKS

The SN 05 seal requires relatively small installation housings. Due to the compact fabric back, intrusion into the extrusion gap is prevented.

