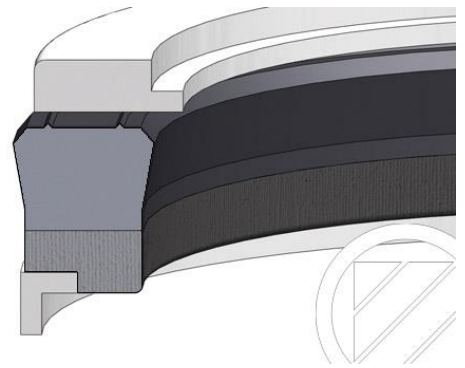


KNA 16



DESCRIPTION

Product group: piston seal
Design: NA asymmetrical u-ring with outer main sealing lip
Profile no.: 16
Specification: E suitable for one-sided pressure load
Model: STFAN back-up ring with integrated outer guide element and retaining ring
Seal material: NBR 80 3002
Seal back: NBR fabric NBR F 90 3005
Back-up and guide element: POM
Retaining ring: POM

OPERATIONAL APPLICATION LIMITS

Pressure (MPa): ≤ 50
 Temperature (°C): -30 to $+100$
 Running speed (m/s): ≤ 0.5

MEDIA

- Hydraulic oils acc. to DIN 51524 Part 1 – 3
- Lubricating oils
- Mineral oil based lubricating greases
- Highly non-flammable hydraulic fluids HFA, HFB, HFC acc. to VDMA 24317

FUNCTION

The KNA 16 u-ring has a compact design which guarantees good sealing in low pressure areas. The KNA 16 compact seal is a single-acting seal combined with a back-up ring and guide element on the side facing away

from the pressure and a retaining ring for the axial limitation of the installation housing on the side facing the pressure.

INSTALLATION

The enclosed retaining ring serves as security for the seal on the side facing the pressure and allows for a deformation-free installation of the complete sealing system on the piston.

REMARKS

The advantage of the KNA 16 piston seal lies in the limited space requirement and its high resistance to gap extrusion.

