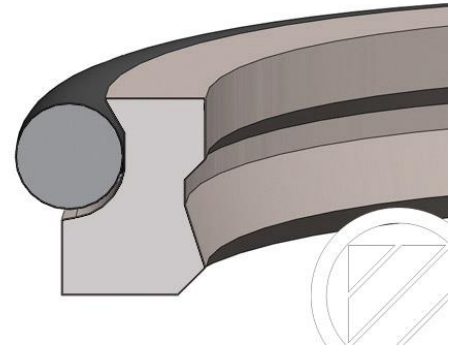


# WIPER AD 61



## DESCRIPTION

**Product group:** Wiper  
**Design:** D Double wiper  
**Profile no.:** 61  
**Material:** PTFE 00  
**O-ring material:** NBR 70

## OPERATIONAL APPLICATION LIMITS

Temperature (°C): -30 to +100  
Running speed (m/s): ≤ 15

## MEDIA

- Hydraulic oils acc. to DIN 51524 Part 1 – 3
- Lubricating oils
- Mineral oil based lubricating greases
- Highly non-flammable hydraulic fluids HFA, HFB, HFC acc. to VDMA 24317
- Hot air and water steam.

## FUNCTION

The AD 61 is a double-acting wiper made of a PTFE-bronze Compound with an O-ring made of NBR as an energising element. It provides a double function wiping the dirt from the rod and retaining the residue oil film with the second lip. The retained oil can be returned to the system through a leakage bore hole.

## INSTALLATION

With smaller diameters installation in axially accessible installation housings is recommended. With larger diameters, the ring can be installed in closed housing. Subsequent calibration is necessary.

## REMARKS

Due to the good sliding properties of PTFE, this wiper is suitable for short stroke cylinders with high running speed and high stroke frequency. The special geometry of the AD 61 makes it robust and able to exert more wiping power on the rod.

